

## Low Pressure Safety Valve - EPV 6x01

This low pressure safety valve is often used in steam applications and protection of heat generation units. It has a cast iron body with stainless steel inner parts (except for spring and spring washer).

<b>Size</b>	DN 20 to 150
<b>Set Pressure</b>	up to 16 bar g
<b>Material</b>	0.6025 / GG 25

### Benefits and features

The semi nozzle body design makes the valve cost-effective. It is suitable for vapours, gases and liquids.

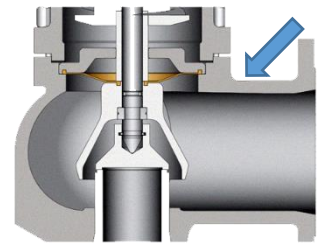
With limited options and variations the EPV 6x01 is standardized for ease of use also for non-industrial sectors.

**EPV 6301, standard version of our cost-efficient low pressure valve**



**The special design with diaphragm seal (option .58) serves to tightly seal the spring chamber and guides**

Spring, Discs  
Disc Holders

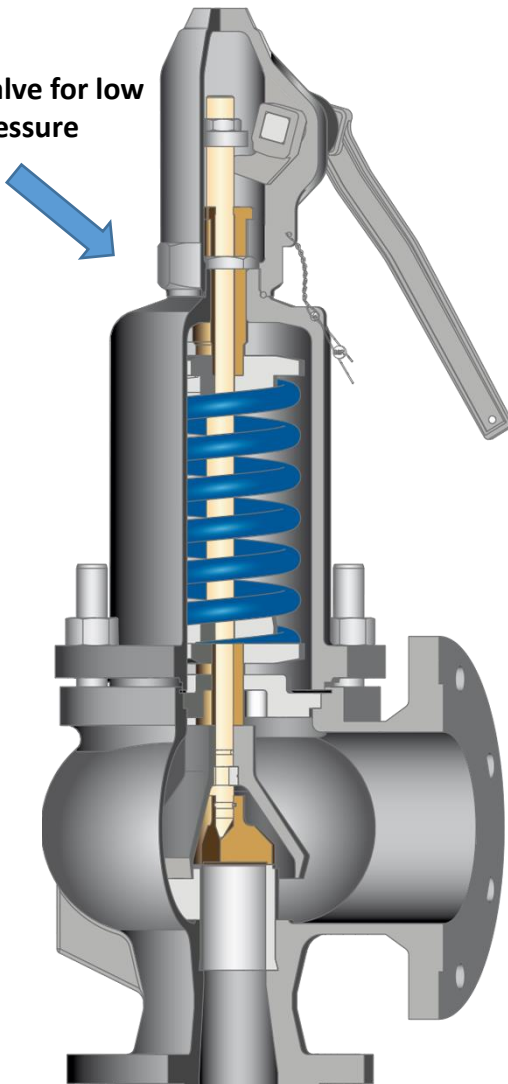


**Spare parts for all safety valves upon request and always on call**

Spare parts:  
spring, discs,  
disc holders



Basic valve for low pressure



Economic for heating systems and water use