

## High Pressure Compact Safety Valve - EPV 01

The basic version of the EPV 01 High Pressure Compact Safety Valve is delivered with male screwed inlet and female screwed outlet, gastight bonnet and cap.

<b>Size</b>	DN 15 to 25	NPS ½" to 1"
<b>Set Pressure</b>	0.40 bar g up to 400 bar g	6.6 psig to 5800 psig
<b>Material</b>	1.4571	Stainless Steel

### Benefits and features

The compact spring-loaded safety valve is made of stainless steel (1.4571) for high chemical resistance. It is also available with bellows to balance back pressure and for high tightness to the outside, even at higher back pressures.

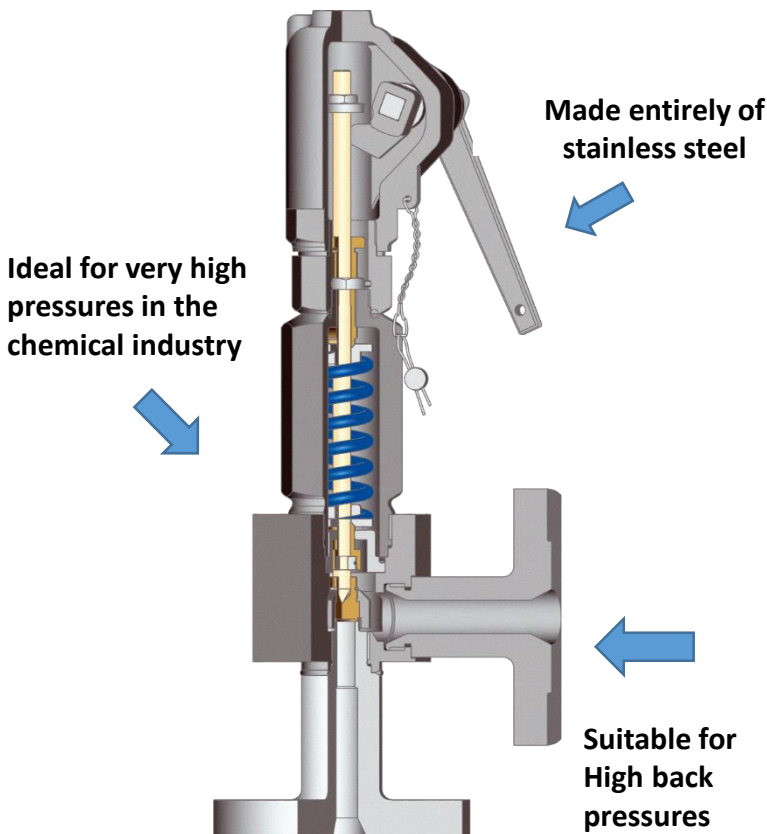
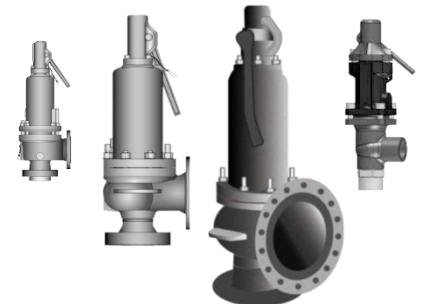
The safety valve has a variety of connections and is wear resistant with hard-faced seat.

The valve EPV 0329 for pressure protection (vapours, gases and liquids) is used in the chemical and petrochemical industry, for industrial gases, cooling and oxygen applications, equipment engineering and chemical reactors, also suitable for mobile pressure vessels and for back pressures above 60 bar g.

### EPV 0321 compact safety valve with flange connection



### One of our smallest compact safety valves EPV 01



**Bellows upon request**

**Also available with threaded connection**

